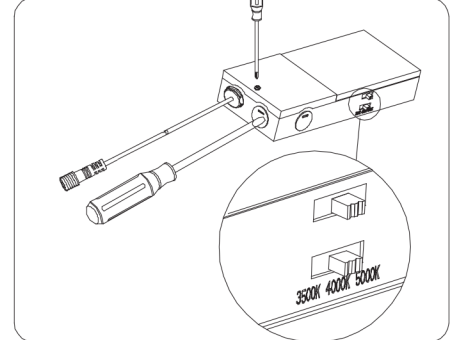


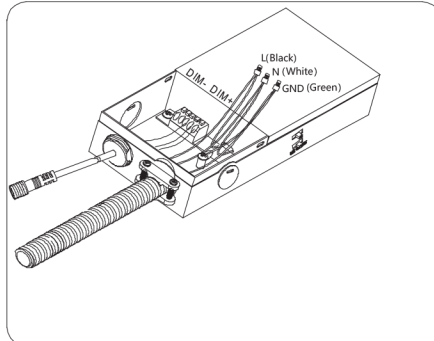
1. Please prepare the cutout

	A(MM)	B(MM)
4"X1FT	98-103	302-307
4"X2FT	98-103	605-610
4"X4FT	98-103	1216-1221
4"X6FT	98-103	1825-1830
4"X8FT	98-103	2435-2440
6"X1FT	149-155	302-307
6"X2FT	149-155	605-610
6"X4FT	149-155	1216-1221
6"X6FT	149-155	1825-1830
6"X8FT	149-155	2435-2440

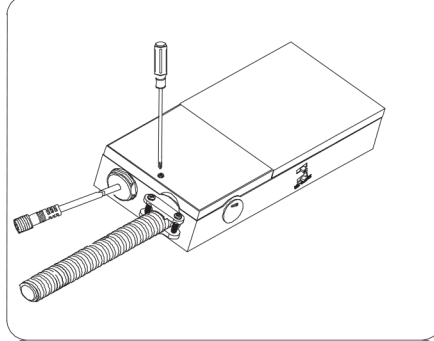
2. Prepare the cutout as per cutout dimensions



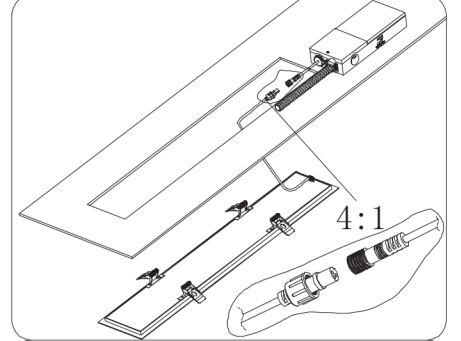
3. Switch the color temperature and power selector to the required setting and then push it into T box.



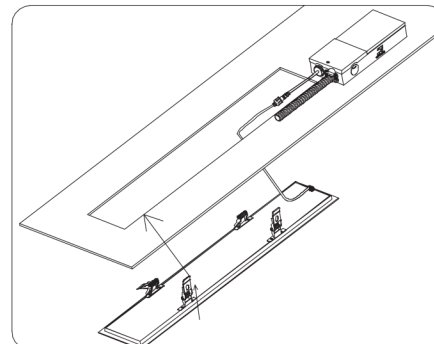
4. Connect the cable to the driver junction box as per labeling wire diagram. Connection Instruction: For dimming wires use the correct tools to press the terminal and pull the wires into the terminal and then release, connect AC wires and ground wires with rated wire nuts.



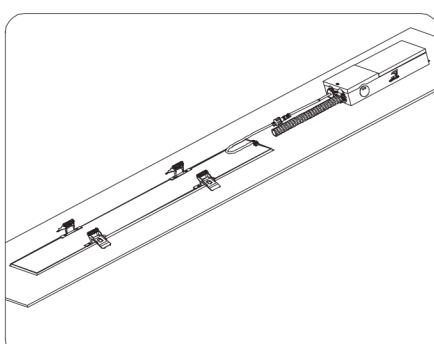
5. Attach the removed junction box cover.



6. Connect the DC output terminal of driver with DC input terminal of the fixture



7. Open the springs of one side and fix it into the ceiling cutout, then do the same to the other side.



8. Installation completed